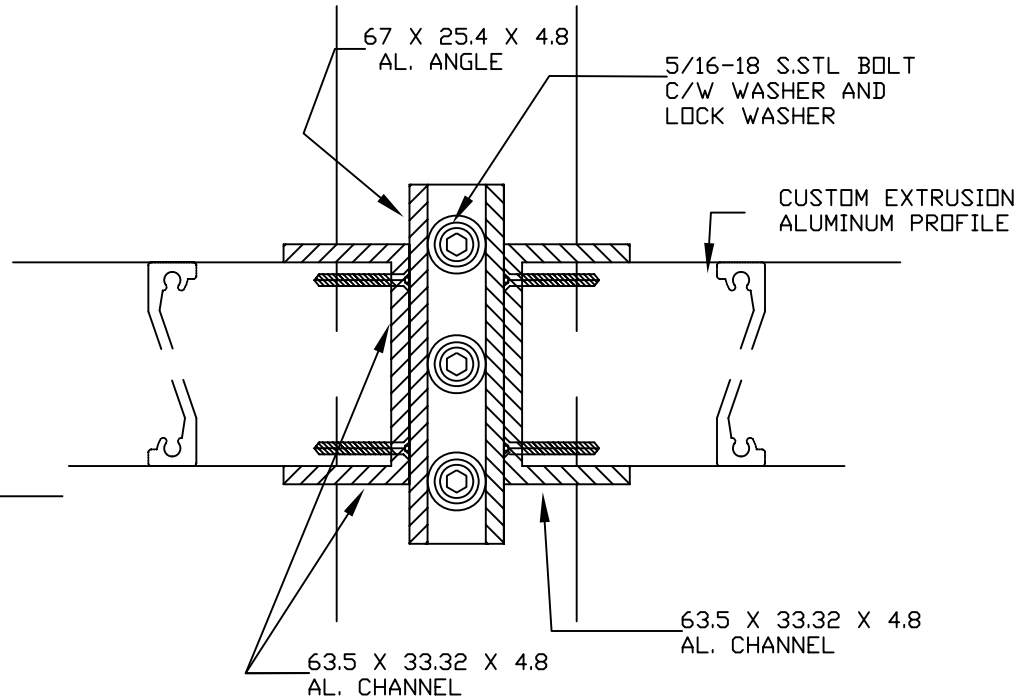


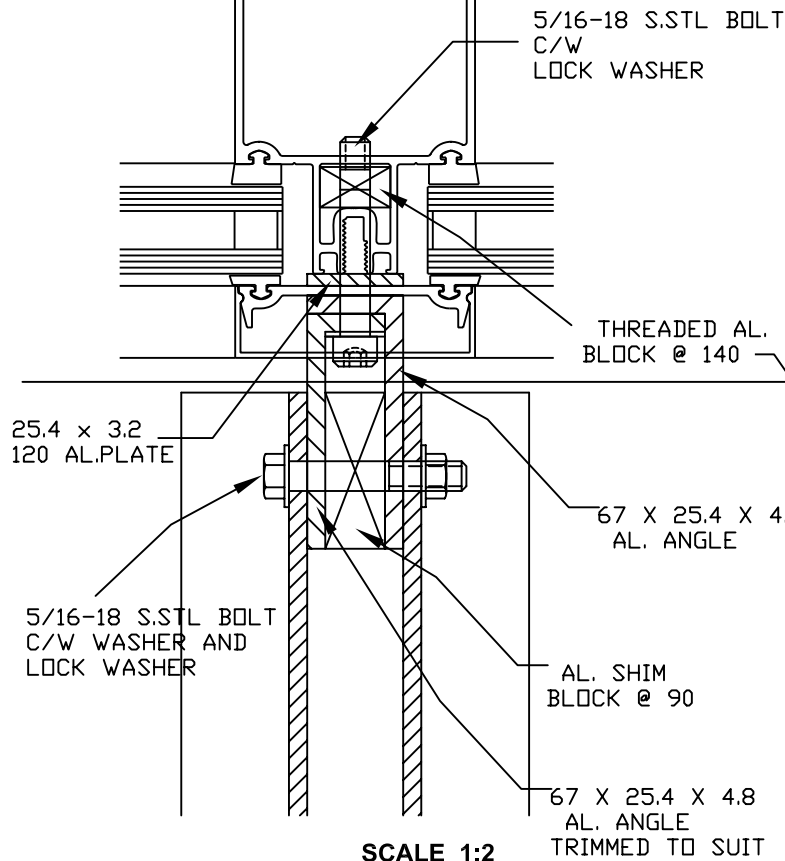
SCALE 1:2

F-1.1



3

Connection
At Outrigger



THREADED AL.
BLOCK @ 140

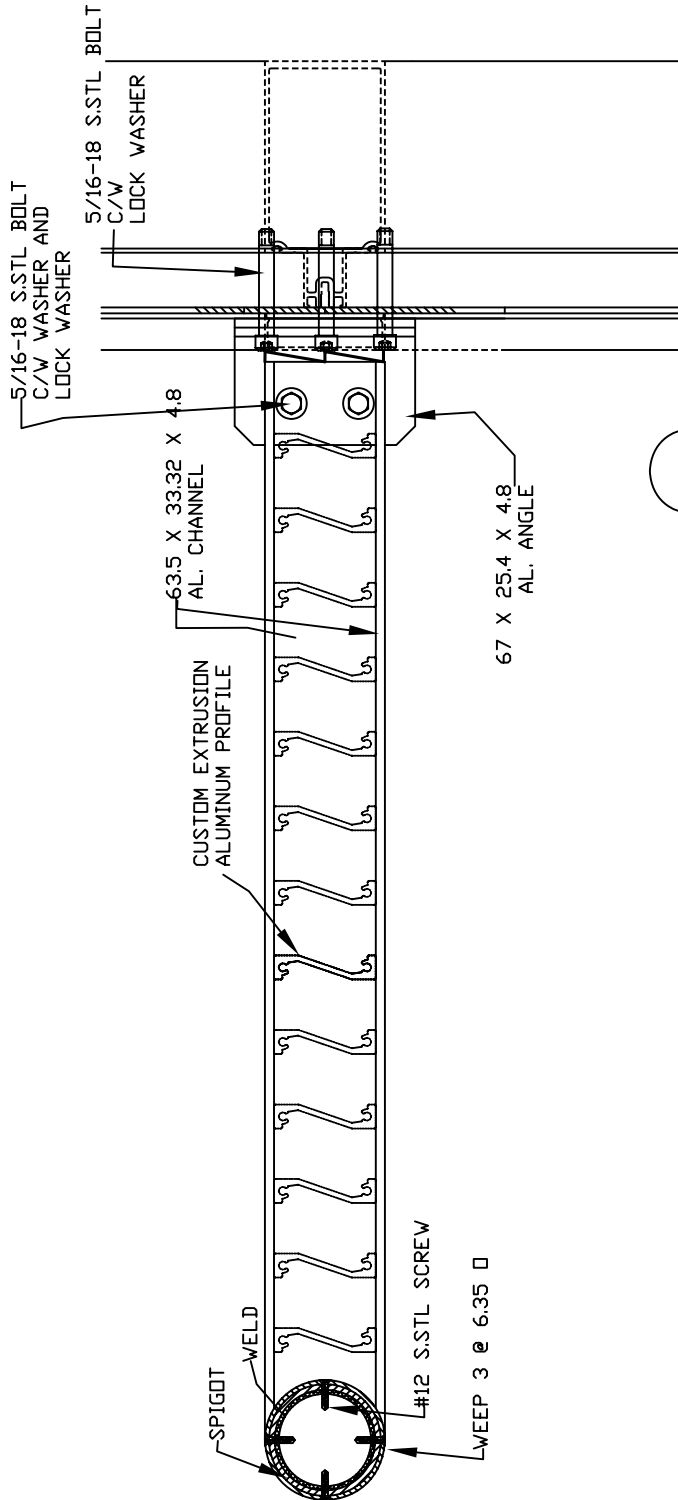
3

4

Connection
At Outrigger

SCALE 1:2

F-1.2



1

HORIZONTAL
AT SUN SHADE

SCALE 1:4

F-1.3