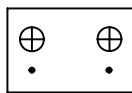
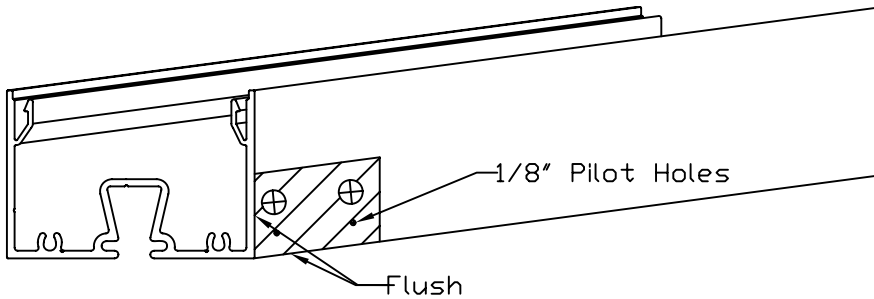


Pivot Top Frame Standard PN 1480

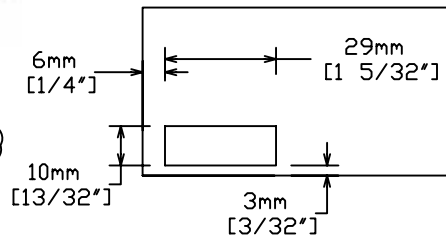


Place plate provided flush to edges on outside of frame where you require pivot i.e.: LH,RH
Clamp on with vise grips drill (2) 1/8" Pilot holes
Remove plate Drill 1/4" holes
Insert Pivot, Flip Over Plate and install backing plate & nuts

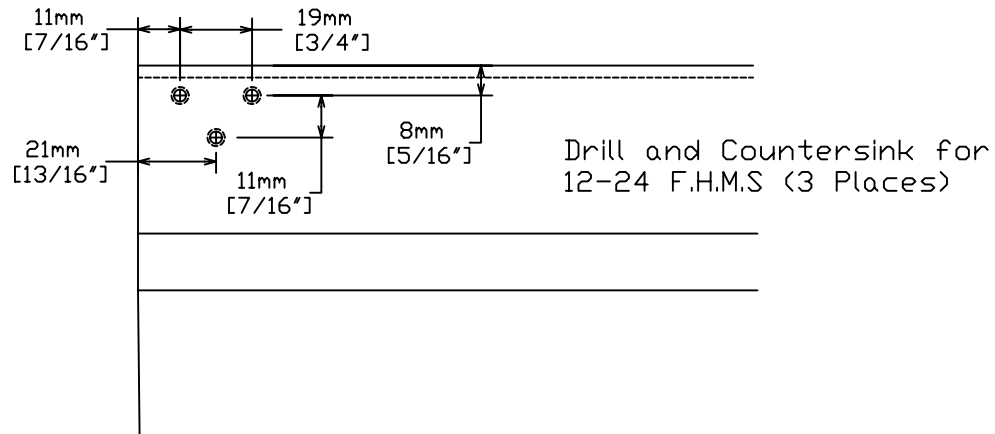


Optional Pivot Top Frame J Style PN 1484

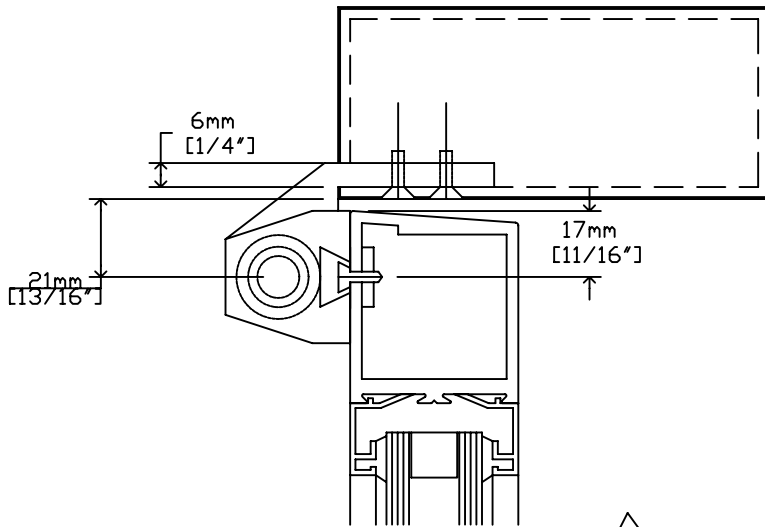
Front Face View



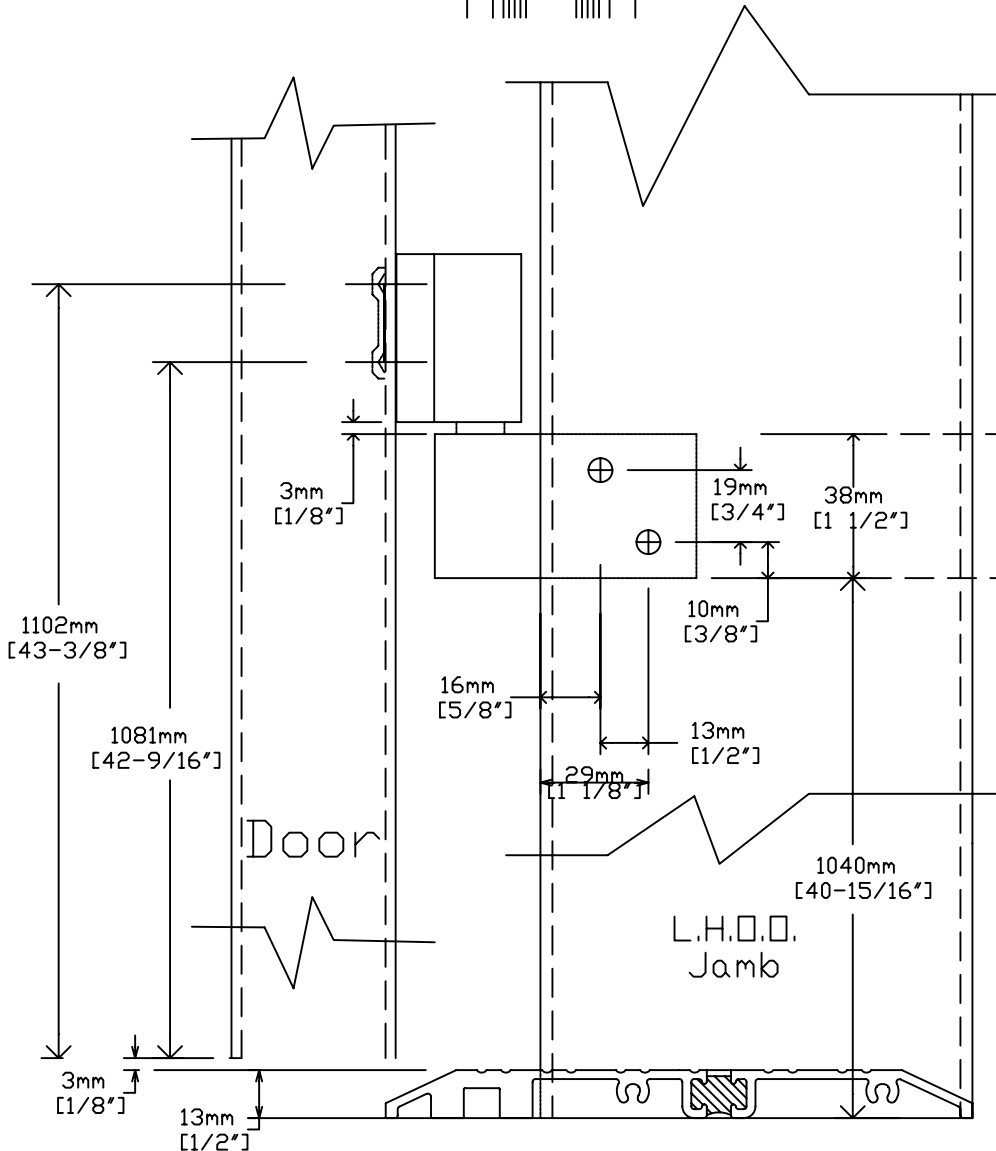
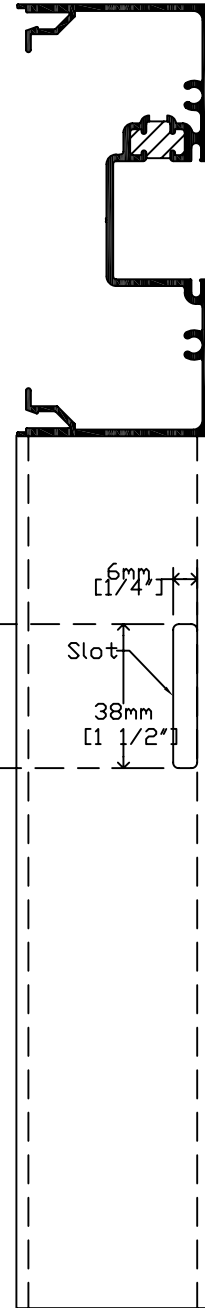
Under Side View



Intermediate Pivot PN 1487



Note:
Pivot is Reversible



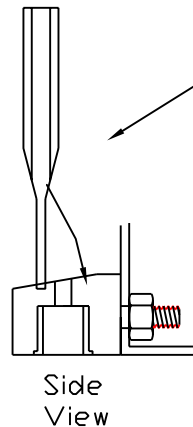
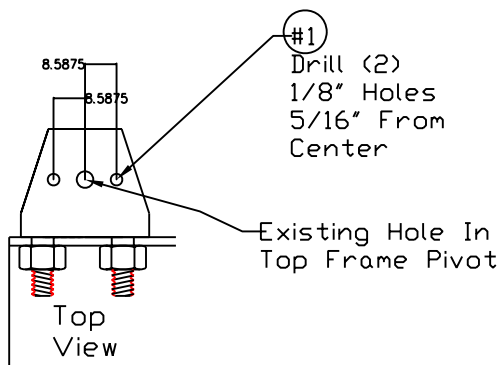
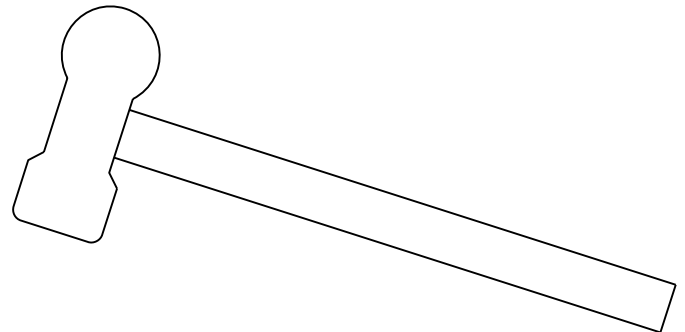
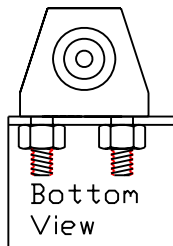
H-1.2.3

Top Frame Bushing Replacement



P.N. # 1477
Top
Frame Portion
Bushing

To replace bushing:
Fallow instructions below.
If there is no head room use a 14mm (9/16") Drill Bit
It should grab and spin the bushing out
Be careful not to drill into aluminum case
Than Go to Step #3



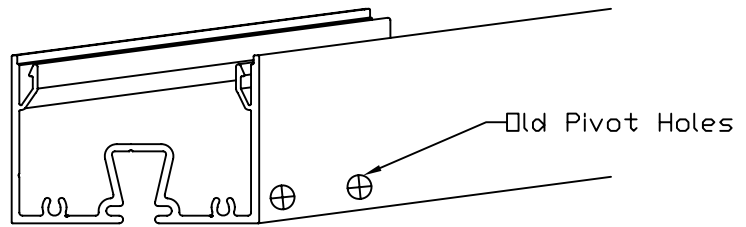
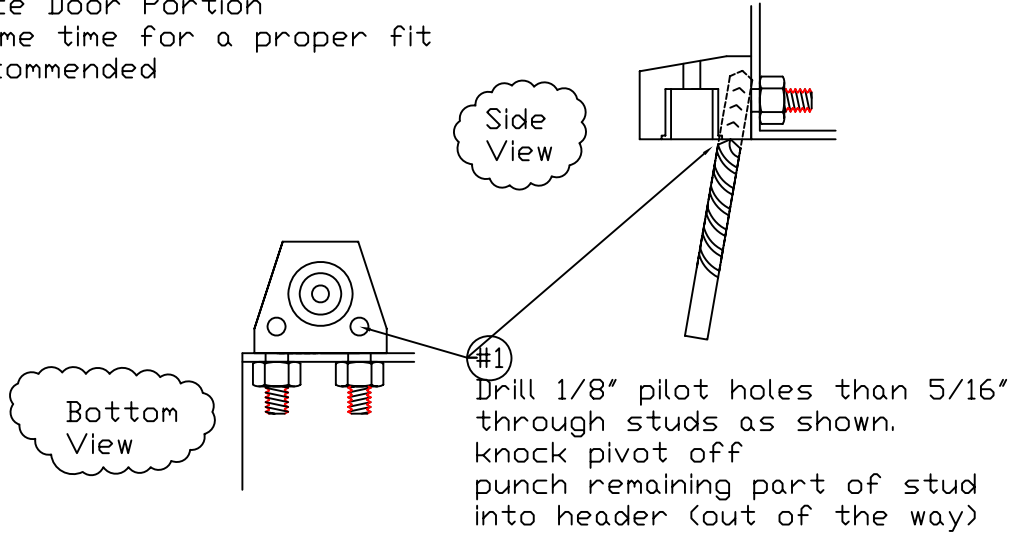
#2
Take 1/8" Punch &
Tap Down Bushing

#3
Replace with new Bushing
use locktite If required
to hold in place
Oil and re install door
It is recommended that
top door Pivot be
Replaced At Same Time

Top Frame Pivot Replacement

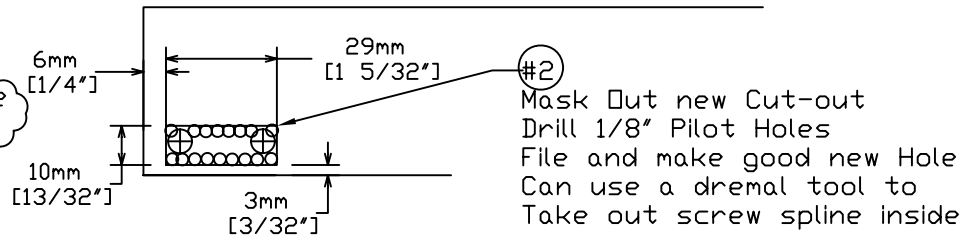
If Pivot is wore past the bushing and into aluminum Pivot It has to be replaced

Note:
Replace Door Portion at same time for a proper fit is recommended

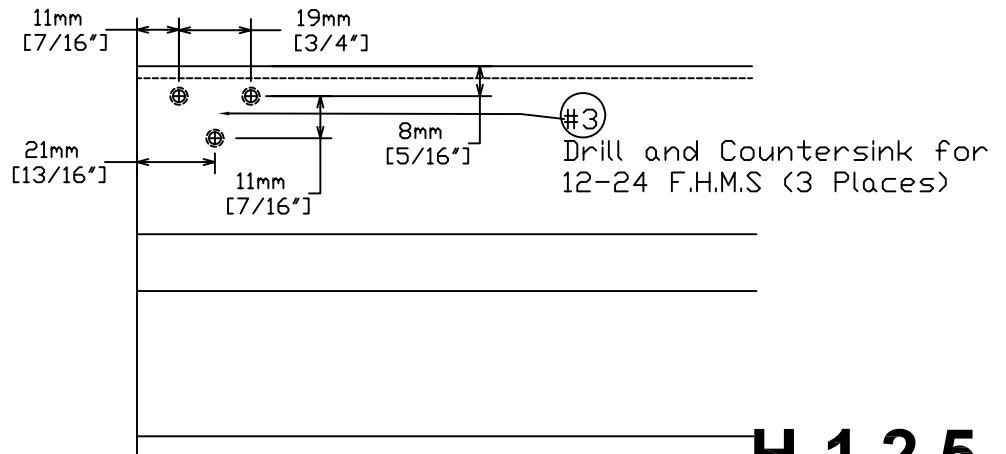


P.N. # 1484
Jackson Top
Frame Portion

Front Face View

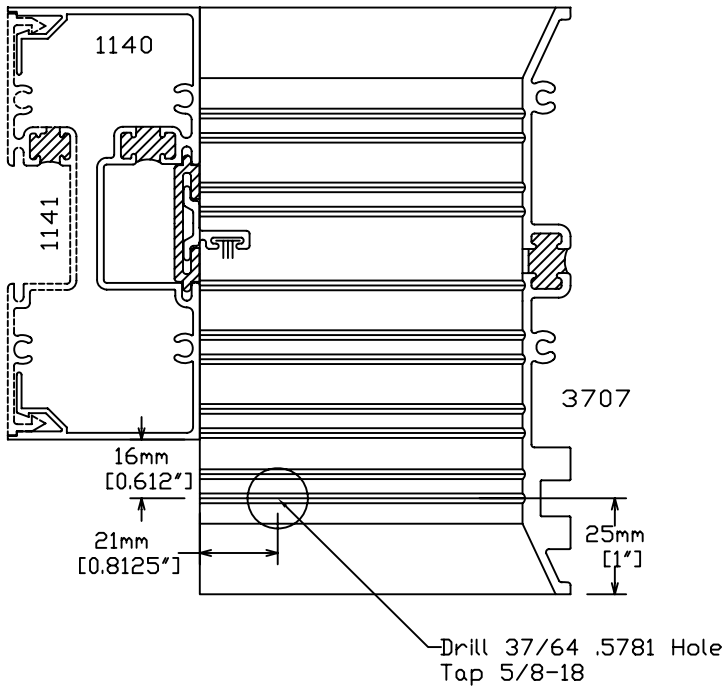


Under Side View

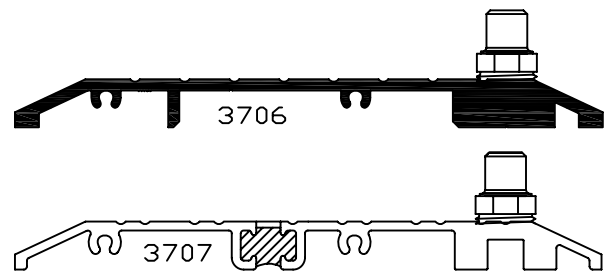


H-1.2.5

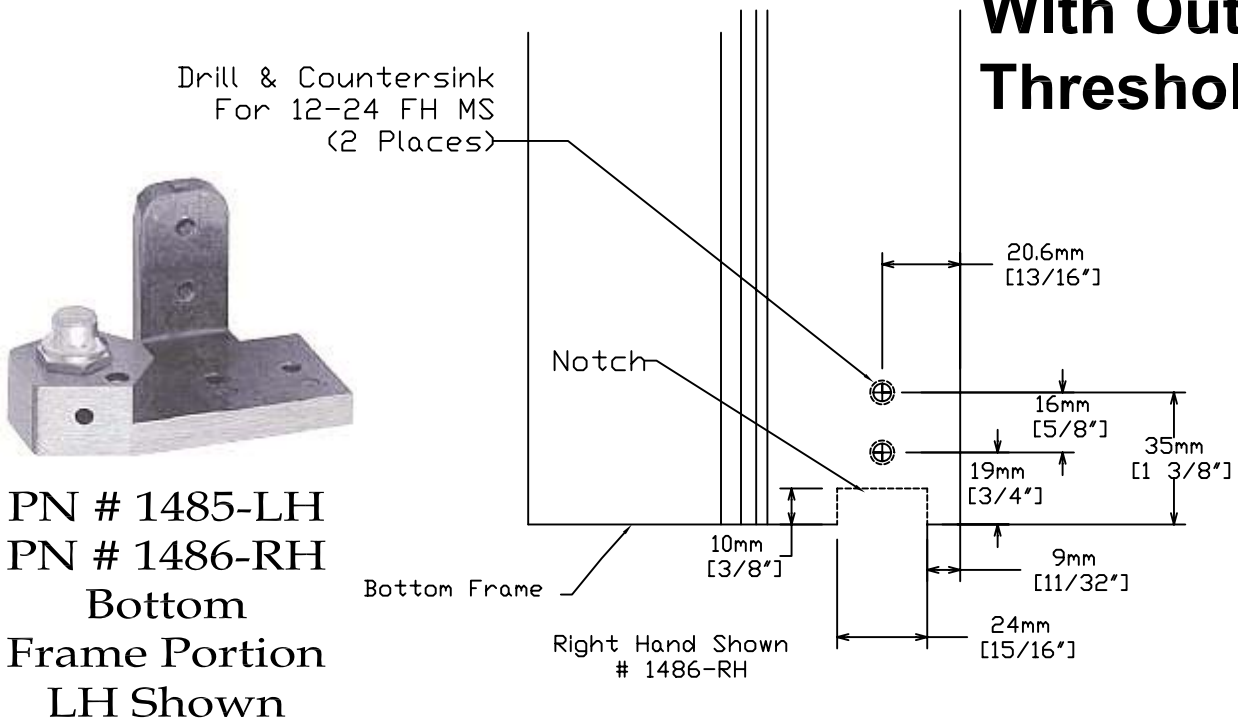
Bottom Threshold Pin



PN # 1483
Bottom
T-Hold Pin



Bottom Frame With Out Threshold



PN # 1485-LH
PN # 1486-RH
Bottom
Frame Portion
LH Shown