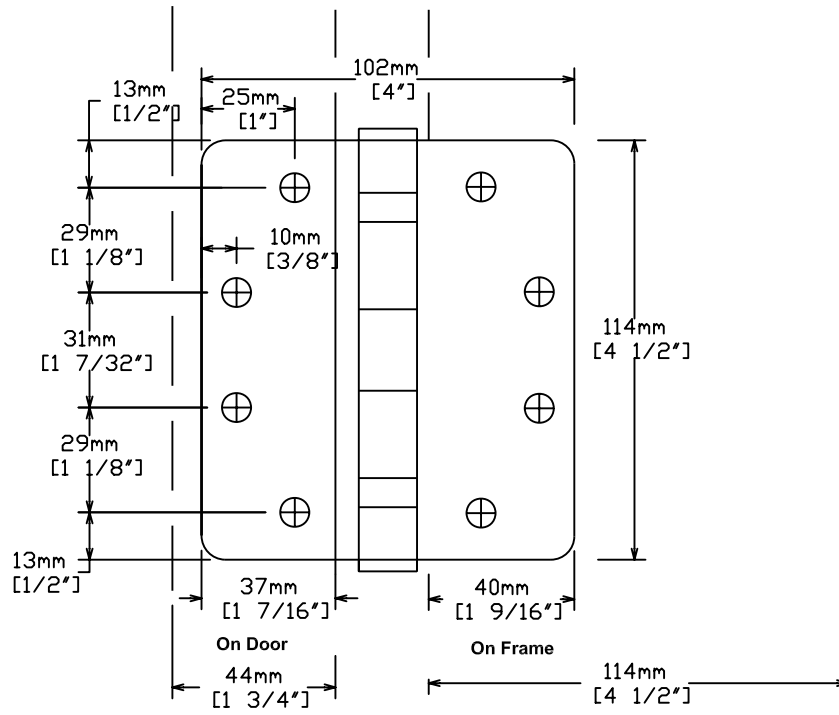
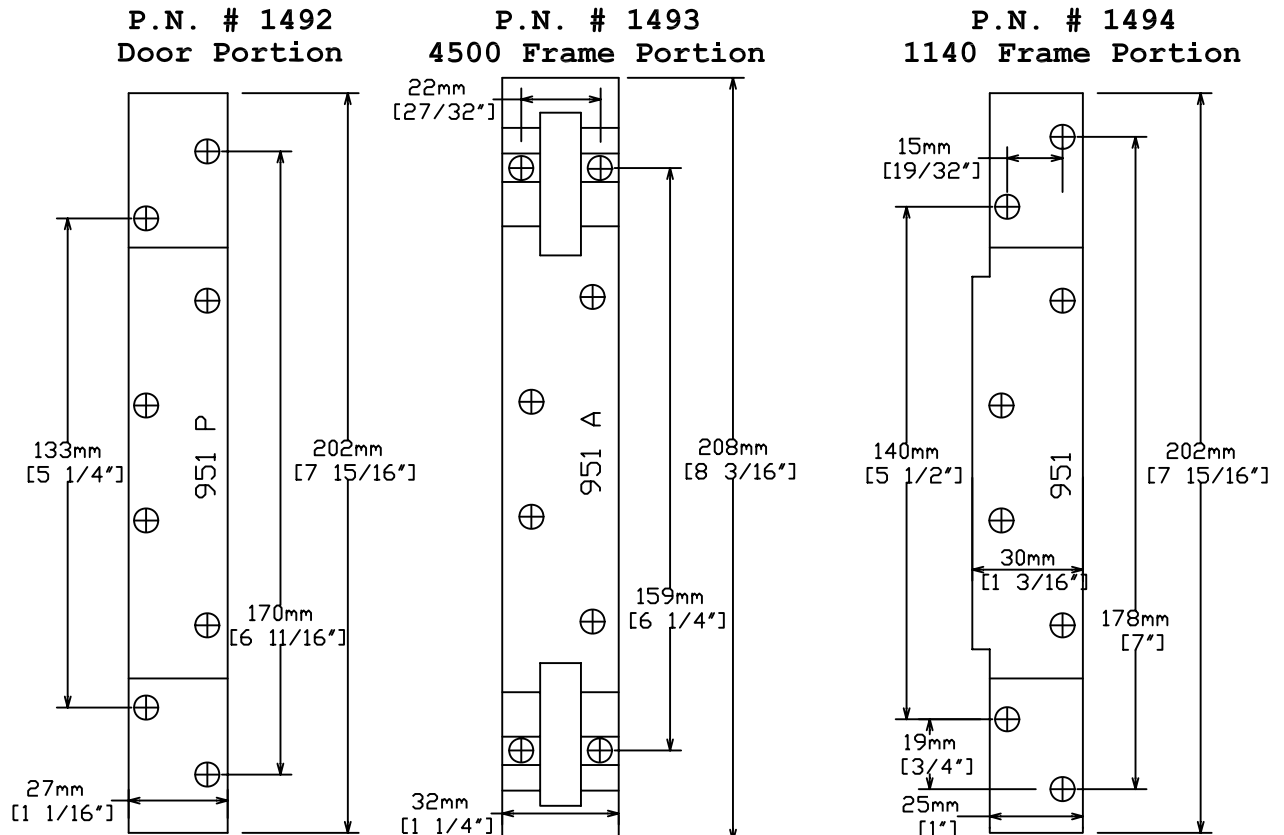


Butt Hinge
4" x 4-1/2"
Stainless Steel
Non Removable Pin

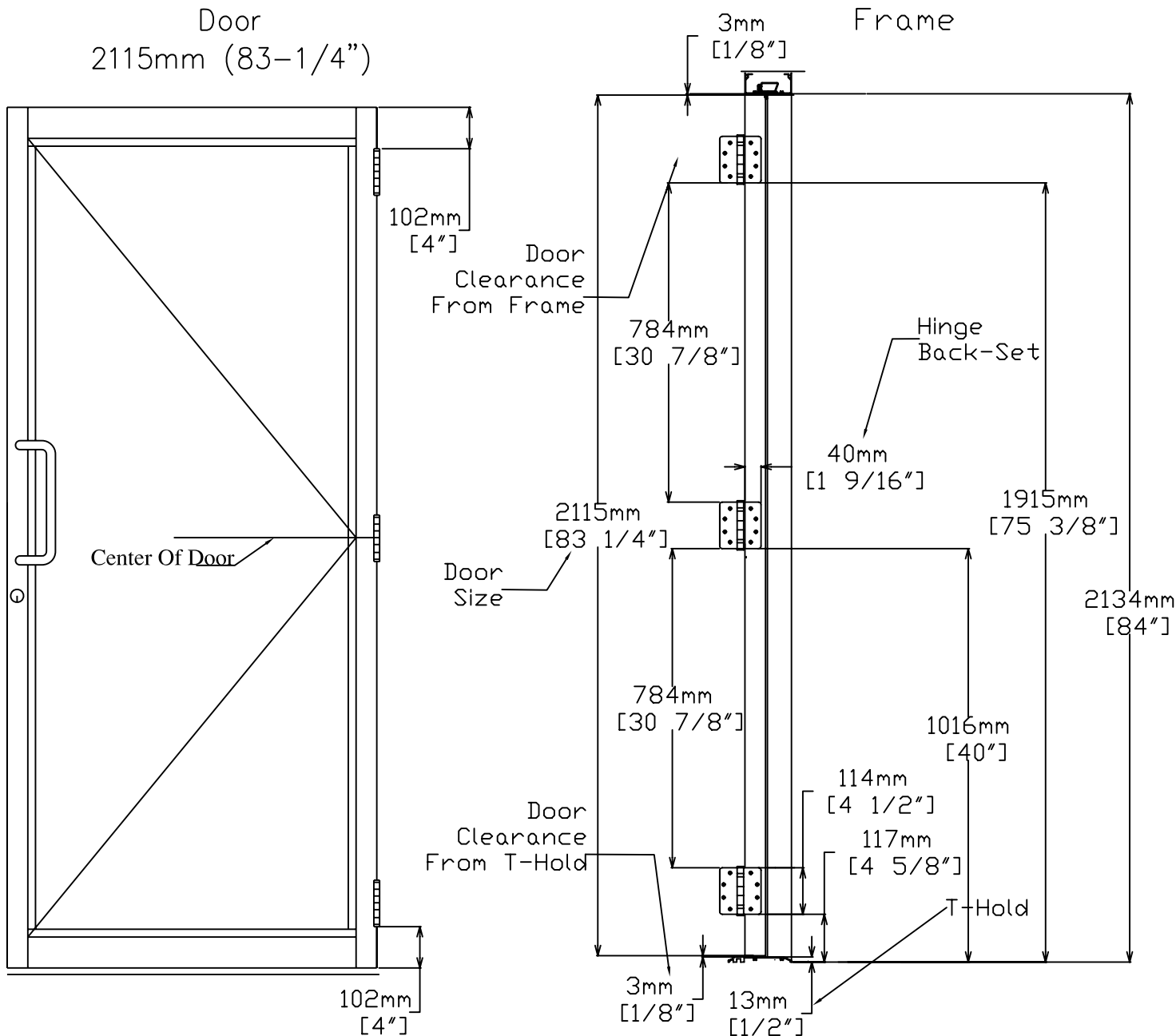


Backing Plates



Note: To prep holes on frame. After cutting out, Place hinge on backing plate Flip over, mark, Drill and Countersink Holes (12-24 FHMS)

Standard Door Opening Size
 DOS 2134mm (84") 7'



H-1.3.1

