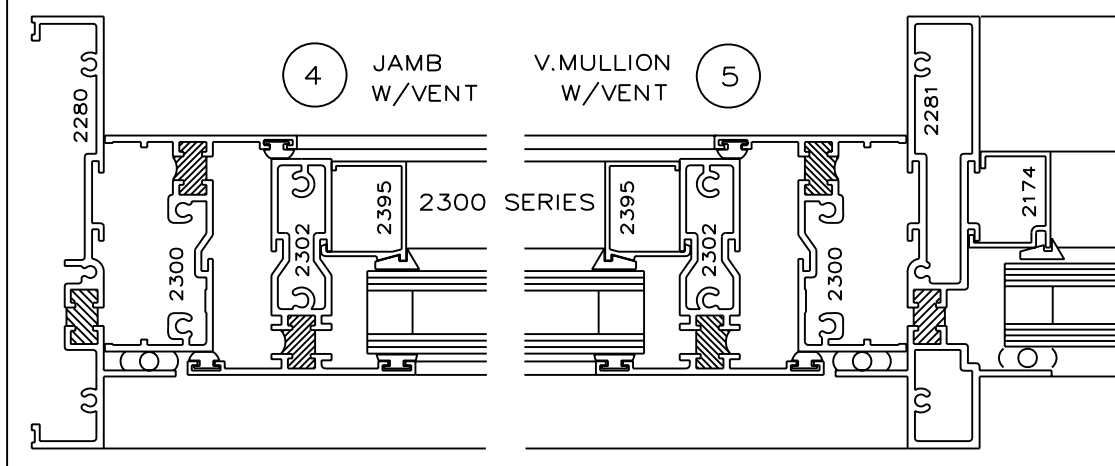
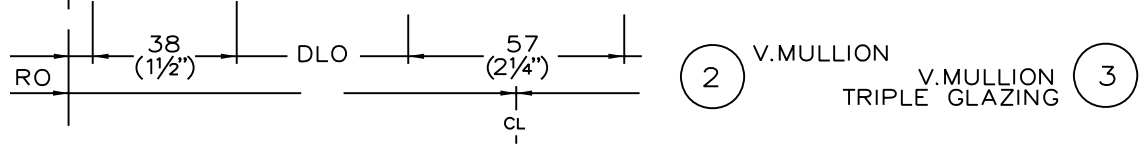
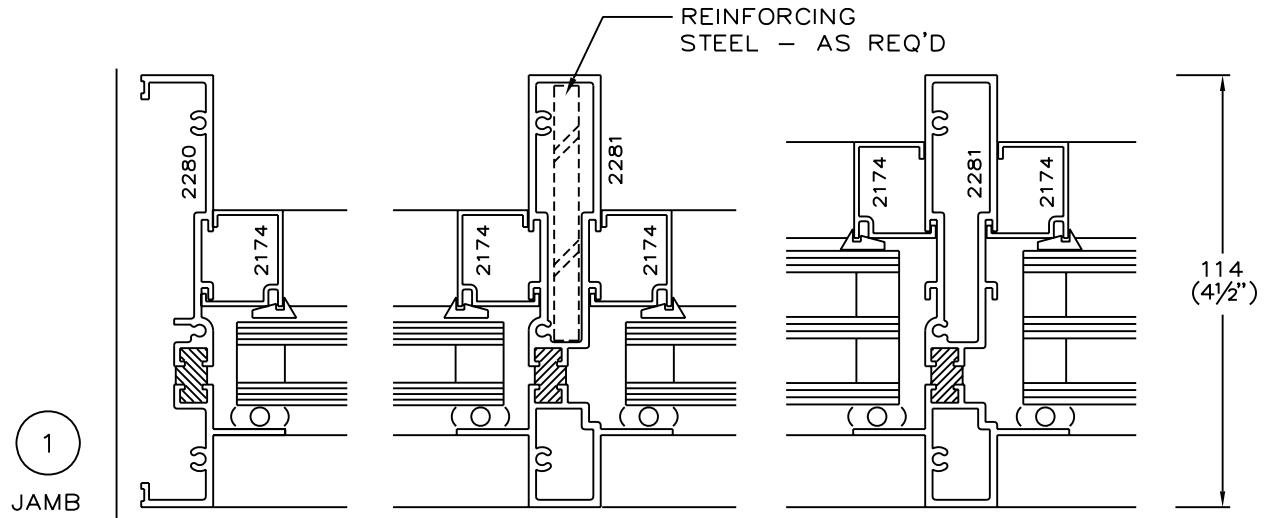
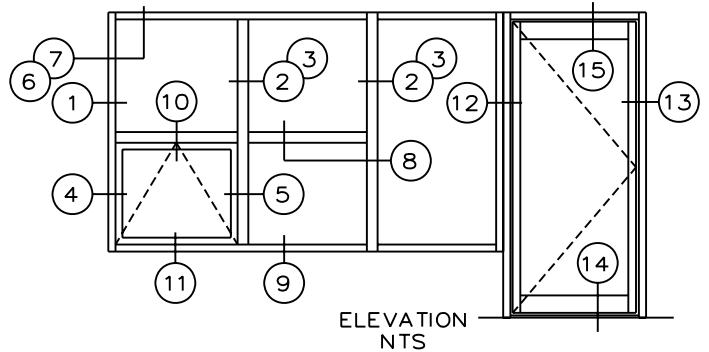
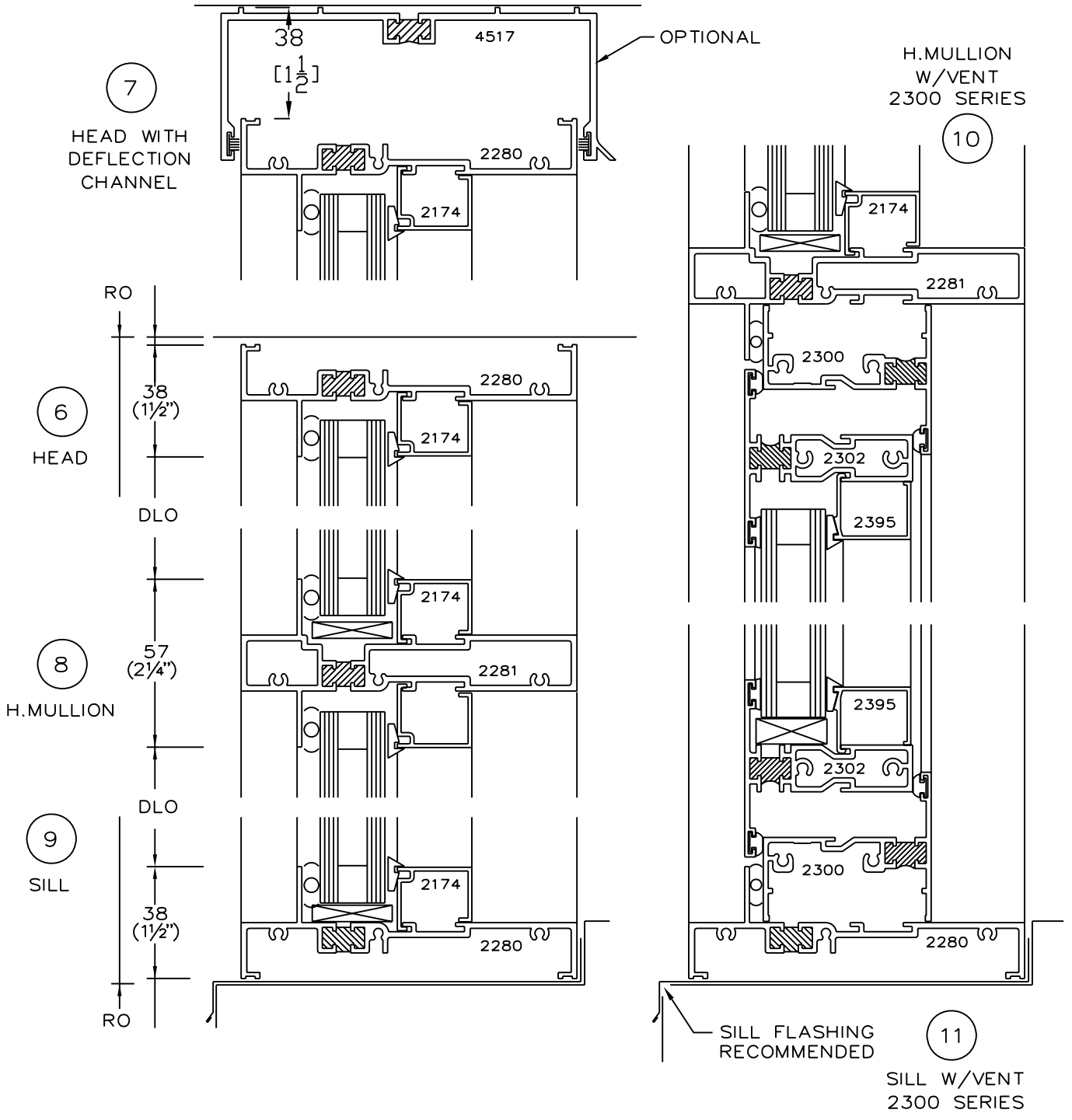


SCALE 1:2

2280 SERIES INSULATED WINDOW FRAMING 114 mm (4.5")

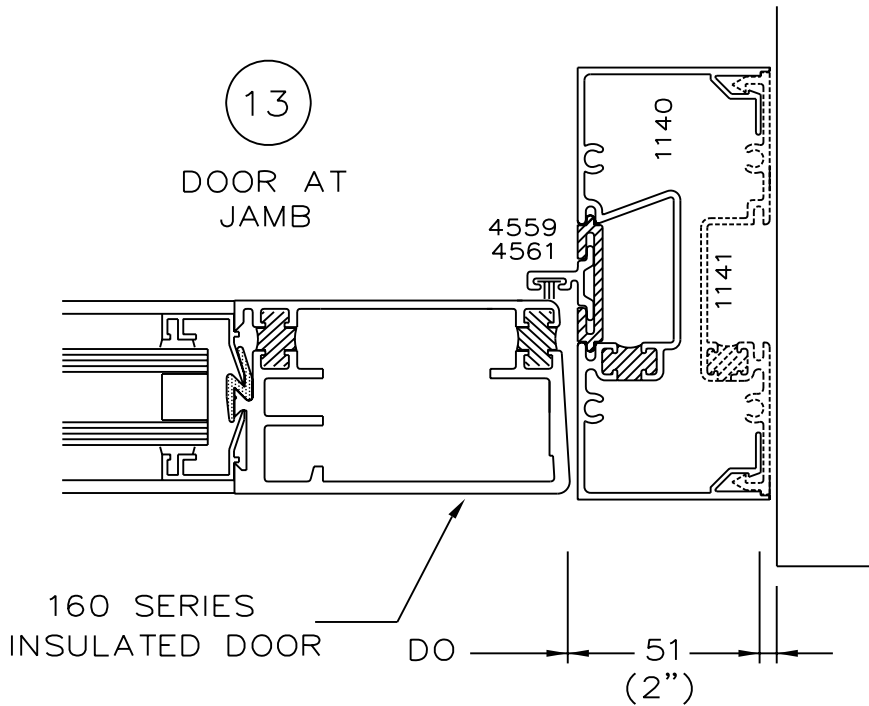
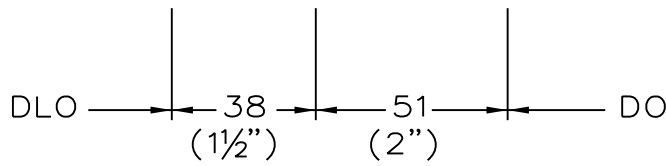
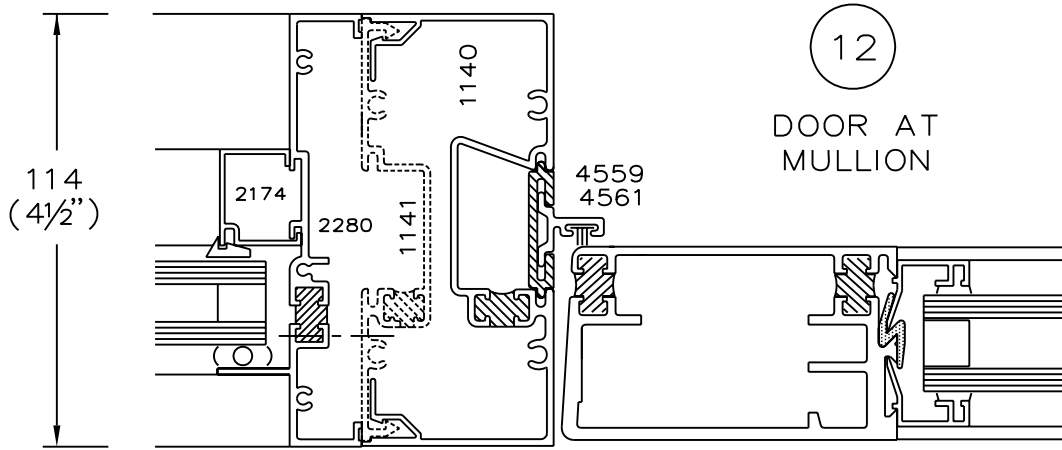


SCALE 1:2

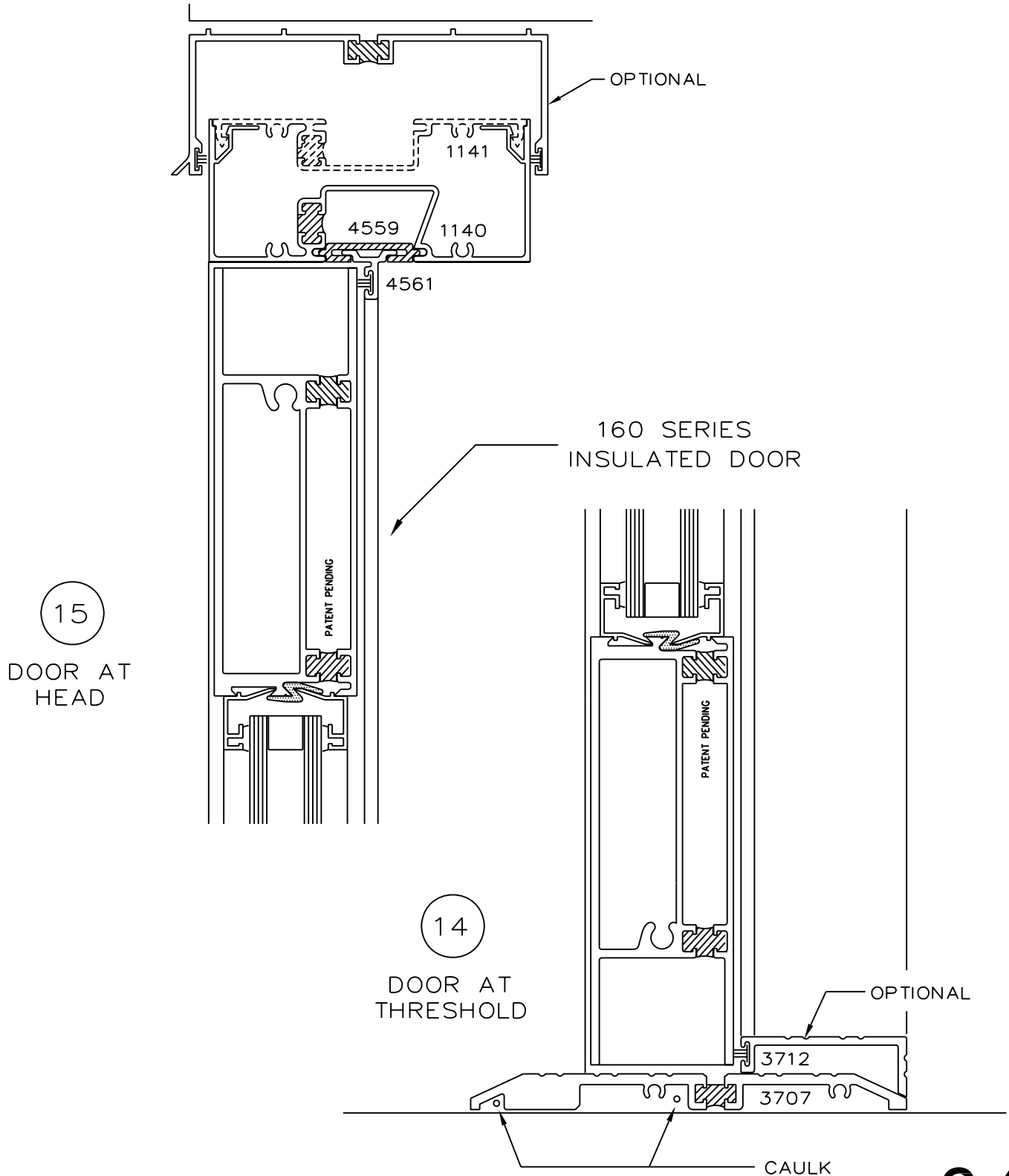


SCALE 1:2

C-4.3



SCALE 1:2



SCALE 1:2

C-4.5

SECTION-PAGE

PROFILE 2281		AA 6063 T5 STL 250 W				
A= 705 mm ²		I= 853846 mm ⁴		S= 13810 mm ³		
MAX. ALLOWABLE MULLION LENGTH (m/ft) FOR SPECIFIED WIND LOAD						
SPACING	0.72 kPa	0.96 kPa	1.20 kPa	1.44 kPa	1.68 kPa	1.91 kPa
	15 PSF	20 PSF	25 PSF	30 PSF	35 PSF	40 PSF
.45 m	4.30	3.95	3.65	3.35	3.10	2.90
1.5'	14.1	13.0	12.0	11.0	10.2	9.5
.60 m	3.95	3.55	3.20	2.90	2.70	2.50
2.0'	13.0	11.6	10.5	9.5	8.9	8.2
.75 m	3.65	3.20	2.85	2.60	2.40	2.25
2.5'	12.0	10.5	9.4	8.5	7.9	7.4
.90 m	3.35	2.90	2.60	2.35	2.20	2.05
3.0'	11.0	9.5	8.5	7.7	7.2	6.7
1.05 m	3.10	2.70	2.40	2.20	2.05	1.90
3.5'	10.2	8.9	7.9	7.2	6.7	6.2
1.20 m	2.90	2.50	2.25	2.05	1.90	1.80
4.0'	9.5	8.2	7.4	6.7	6.2	5.9
1.35 m	2.75	2.35	2.10	1.95	1.80	1.70
4.5'	9.0	7.7	6.9	6.4	5.9	5.6
1.50 m	2.60	2.25	2.00	1.85	1.70	1.60
5.0'	8.5	7.4	6.6	6.1	5.6	5.2
1.65 m	2.45	2.15	1.90	1.75	1.60	1.50
5.5'	8.0	7.1	6.2	5.7	5.2	4.9
1.80 m	2.35	2.05	1.85	1.65	1.55	1.45
6.0'	7.7	6.7	6.1	5.4	5.1	4.8
1.95 m	2.25	1.95	1.75	1.60	1.50	1.40
6.5'	7.4	6.4	5.7	5.2	4.9	4.6
2.10 m	2.20	1.90	1.70	1.55	1.45	1.35
7.0'	7.2	6.2	5.6	5.1	4.8	4.4
2.25 m	2.10	1.85	1.65	1.50	1.40	1.30
7.5'	6.9	6.1	5.4	4.9	4.6	4.3
2.40 m	2.05	1.75	1.60	1.45	1.35	1.25
8.0'	6.7	5.7	5.2	4.8	4.4	4.1

PROFILE 2281 WITH 1/4" x 2 1/2" STL BAR		AA 6063 T5 STL 250 W				
A= 705 mm ²		I _c = 1240966 mm ⁴		S _c = 23509 mm ³		
MAX. ALLOWABLE MULLION LENGTH (m/ft) FOR SPECIFIED WIND LOAD						
SPACING	0.72 kPa	0.96 kPa	1.20 kPa	1.44 kPa	1.68 kPa	1.91 kPa
	15 PSF	20 PSF	25 PSF	30 PSF	35 PSF	40 PSF
.45 m	4.90	4.45	4.15	3.90	3.70	3.55
1.5'	16.1	14.6	13.6	12.8	12.1	11.6
.60 m	4.45	4.05	3.75	3.55	3.35	3.20
2.0'	14.6	13.3	12.3	11.6	11.0	10.5
.75 m	4.15	3.75	3.50	3.30	3.10	2.95
2.5'	13.6	12.3	11.5	10.8	10.2	9.7
.90 m	3.90	3.55	3.30	3.10	2.85	2.70
3.0'	12.8	11.6	10.8	10.2	9.4	8.9
1.05 m	3.70	3.35	3.10	2.85	2.65	2.50
3.5'	12.1	11.0	10.2	9.4	8.7	8.2
1.20 m	3.55	3.20	2.95	2.70	2.50	2.30
4.0'	11.6	10.5	9.7	8.9	8.2	7.5
1.35 m	3.40	3.10	2.75	2.50	2.35	2.20
4.5'	11.2	10.2	9.0	8.2	7.7	7.2
1.50 m	3.30	2.95	2.60	2.40	2.20	2.10
5.0'	10.8	9.7	8.5	7.9	7.2	6.9
1.65 m	3.15	2.80	2.50	2.30	2.10	2.00
5.5'	10.3	9.2	8.2	7.5	6.9	6.6
1.80 m	3.10	2.70	2.40	2.20	2.00	1.90
6.0'	10.2	8.9	7.9	7.2	6.6	6.2
1.95 m	2.95	2.55	2.30	2.10	1.95	1.80
6.5'	9.7	8.4	7.5	6.9	6.4	5.9
2.10 m	2.85	2.50	2.20	2.00	1.85	1.75
7.0'	9.4	8.2	7.2	6.6	6.1	5.7
2.25 m	2.75	2.40	2.15	1.95	1.80	1.70
7.5'	9.0	7.9	7.1	6.4	5.9	5.6
2.40 m	2.70	2.30	2.05	1.90	1.75	1.65
8.0'	8.9	7.5	6.7	6.2	5.7	5.4

DEAD LOAD CAPACITY FOR 25mm (1") UNITS WITH TWO 6mm (1/4") GLASS PANES
MAXIMUM DEFLECTION 3.2mm (1/8")

HORIZONTAL MULLION PROFILE: 2281		I= 54080 mm ⁴ (0.130 in ⁴)		S= 1826 mm ³ (0.112 in ³)					
VERTICAL MULLION SPACING		0.90m	1.05m	1.20m	1.35m	1.50m	1.65m	1.80m	1.95m
		3.0'	3.5'	4.0'	4.5'	5.0'	5.5'	6.0'	6.5'
1	GLASS HEIGHT	1.92	1.03	0.61	0.38	0.25	0.17	0.12	
	SUPPORT \odot 1/4	6.29	3.39	1.99	1.24	0.81	0.56	0.39	
2	GLASS HEIGHT	3.59	1.94	1.14	0.71	0.47	0.32	0.22	0.16
	SUPPORT \odot 1/8	11.77	6.36	3.73	2.33	1.53	1.04	0.74	0.53

1/ BASED ON L/175 MAX ALLOWABLE DEFLECTION
OR $F_y = 110 \text{ MPa}$ FOR AA 6063 T5
- WHICHEVER IS LESS - CONFORMING TO CAN3-S157-M83
2/ FOR ESTIMATING PURPOSES ONLY

 **A.T. MARCK & ASSOCIATES**
BUILDING SYSTEMS ENGINEERING LTD.
TEL/FAX (604) 469-6566

- 1 SETTING BLOCKS CENTERED AT GLASS WIDTH QUARTER POINTS
- 2 SETTING BLOCKS CENTERED AT GLASS WIDTH ONE-EIGHT POINTS

SETTING BLOCKS ARE EQUIDISTANT FROM THE GLASS CENTER LINE